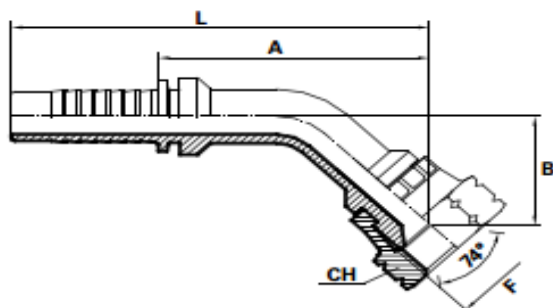
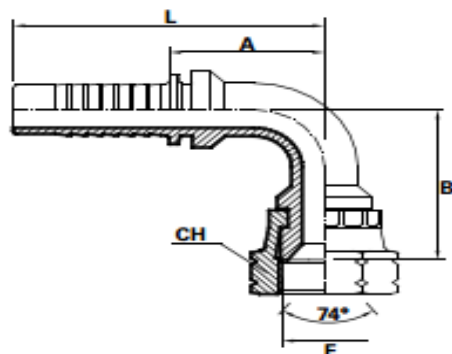


DKJ										
Наименование	РАЗМЕР НА МАРКУЧА			РЕЗБА		РАЗМЕРИ			НАЛЯГАНЕ	
	DN	inch	диам.	F	fx1"	CH	A	L	bar	PSI
DKJ 5 7/16"	5	3/16"	3	7/16"	20	15	15	40	350	5000
DKJ 5 1/2"	5	3/16"	3	1/2"	20	17	15	40	350	5000
DKJ 6 7/16"	6	1/4"	4	7/16"	20	15	15	43	350	5000
DKJ 6 1/2"	6	1/4"	4	1/2"	20	17	16	44	350	5000
DKJ 6 9/16"	6	1/4"	4	9/16"	18	19	16	44	250	3500
DKJ 8 1/2"	8	5/16"	5	1/2"	20	17	16	44	350	5000
DKJ 8 9/16"	8	5/16"	5	9/16"	18	19	16	44	250	3500
DKJ 8 5/8"	8	5/16"	5	5/8"	18	22	17	45	250	3500
DKJ 8 3/4"	8	5/16"	5	3/4"	16	24	17	45	250	3500
DKJ 10 9/16"	10	3/8"	6	9/16"	18	19	16.5	46.5	250	3500
DKJ 10 5/8"	10	3/8"	6	5/8"	18	22	17	47	250	3500
DKJ 10 3/4"	10	3/8"	6	3/4"	16	24	17	47	250	3500
DKJ 10 7/8"	10	3/8"	6	7/8"	14	27	18.5	48.5	200	2800
DKJ 12 3/4"	12	1/2"	8	3/4"	16	24	18	51	250	3500
DKJ 12 7/8"	12	1/2"	8	7/8"	14	27	19	52	200	2800
DKJ 12 1 1/16"	12	1/2"	8	1 1/16"	12	32	22	55	200	2800
DKJ 16 7/8"	16	5/8"	10	7/8"	14	27	19.5	55.5	200	2800
DKJ 16 1 1/16"	16	5/8"	10	1 1/16"	12	32	22.5	58.5	200	2800
DKJ 20 7/8"	20	3/4"	12	7/8"	14	27	20	61	200	2800
DKJ 20 1 1/16"	20	3/4"	12	1 1/16"	12	32	23	64	200	2800
DKJ 20 1 3/16"	20	3/4"	12	1 3/16"	12	36	23	64	160	2300
DKJ 20 1 5/16"	20	3/4"	12	1 5/16"	12	41	23	64	160	2300
DKJ 25 1 1/16"	25	1"	16	1 1/16"	12	32	24	79	200	2800
DKJ 25 1 5/16"	25	1"	16	1 5/16"	12	41	24.5	79.5	160	2300
DKJ 25 1 5/8"	25	1"	16	1 5/8"	12	50	28.5	83.5	125	1800
DKJ 32 1 5/8"	32	1 1/4"	20	1 5/8"	12	50	29	90	125	1450
DKJ 32 1 7/8"	32	1 1/4"	20	1 7/8"	12	55	31	92	100	1450
DKJ 40 1 7/8"	40	1 1/2"	24	1 7/8"	12	55	31	102	100	1450
DKJ 50 2 1/2"	50	2"	28	2 1/2"	12	55	31	102	100	1450



DKJ 45C											
Наименование	РАЗМЕР НА МАРКУЧА			РЕЗБА		РАЗМЕРИ				НАЛЯГАНЕ	
	DN	inch	диам.	F	fx1"	CH	B	A	L	bar	PSI
DKJ 45C 5 7/16"	5	3/16"	3/16"	7/16"	20	15	15	38	63	350	5000
DKJ 45C 5 1/2"	5	3/16"	3/16"	1/2"	20	17	17	40	65	350	5000
DKJ 45C 6 7/16"	6	1/4"	1/4"	7/16"	20	15	15	38	66	350	5000
DKJ 45C 6 1/2"	6	1/4"	1/4"	1/2"	20	17	17	40	68	350	5000
DKJ 45C 6 9/16"	6	1/4"	1/4"	9/16"	18	19	16.5	39.5	67.5	250	3500
DKJ 45C 8 1/2"	8	5/16"	5/16"	1/2"	20	17	17	40	68	350	5000
DKJ 45C 8 9/16"	8	5/16"	5/16"	9/16"	18	19	19	49.5	77.5	250	3500
DKJ 45C 8 5/8"	8	5/16"	5/16"	5/8"	18	22	19.0	50	80	250	3500
DKJ 45C 8 3/4"	8	5/16"	5/16"	3/4"	16	24	19.5	50.5	78.5	250	3500
DKJ 45C 10 9/16"	10	3/8"	3/8"	9/16"	18	19	18	53	83	250	3500
DKJ 45C 10 5/8"	10	3/8"	3/8"	5/8"	18	22	19.0	54	84	250	3500
DKJ 45C 10 3/4"	10	3/8"	3/8"	3/4"	16	24	19.0	54	84	250	3500
DKJ 45C 10 7/8"	10	3/8"	3/8"	7/8"	14	27	21	56	86	200	2900
DKJ 45C 12 3/4"	12	1/2"	1/2"	3/4"	16	24	20	62	95	200	2900
DKJ 45C 12 7/8"	12	1/2"	1/2"	7/8"	14	27	21.0	63	97	200	2900
DKJ 45C 12 1 1/16"	12	1/2"	1/2"	1 1/16"	12	32	22	64	97	200	2900
DKJ 45C 16 7/8"	16	5/8"	5/8"	7/8"	14	27	22	60	96	200	2900
DKJ 45C 16 1 1/16"	16	5/8"	5/8"	1 1/16"	12	32	25	63	99	200	2900
DKJ 45C 20 7/8"	20	3/4"	3/4"	7/8"	14	27	29	62	103	200	2900
DKJ 45C 20 1 1/16"	20	3/4"	3/4"	1 1/16"	12	32	29	62	103	200	2900
DKJ 45C 20 1 3/16"	20	3/4"	3/4"	1 3/16"	12	36	29	63	103	160	2300
DKJ 45C 20 1 5/16"	20	3/4"	3/4"	1 5/16"	12	41	29.0	63	103	160	2300
DKJ 45C 25 1 1/16"	25	1"	16	1 1/16"	12	32	39.5	100	155	200	2800
DKJ 45C 25 1 5/16"	25	1"	16	1 5/16"	12	41	39.5	88.5	143.5	160	2300
DKJ 45C 25 1 5/8"	25	1"	16	1 5/8"	12	50	38.5	89.5	148	125	1800
DKJ 45C 32 1 5/8"	32	1 1/4"	20	1 5/8"	12	50	44.0	101	162	125	1800
DKJ 45C 32 1 7/8"	32	1 1/4"	20	1 7/8"	12	55	45	103	164	100	1450
DKJ 45C 40 1 7/8"	40	1 1/2"	24	1 7/8"	12	55	45	118	189	100	1450



DKJ 90C

Наименование	РАЗМЕР НА МАРКУЧА			РЕЗБА		РАЗМЕРИ				НАЛЯГАНЕ	
	DN	inch	диам.	F	fx1"	CH	B	A	L	bar	PSI
DKJ 90C 5 7/16"	5	3/16"	3	7/16"	20	15	26	23	47.5	350	5000
DKJ 90C 5 1/2"	5	3/16"	3	1/2"	20	17	27	23	47.5	350	5000
DKJ 90C 6 7/16"	6	1/4"	4	7/16"	20	15	26	23	51	350	5000
DKJ 90C 6 1/2"	6	1/4"	4	1/2"	20	17	27	23	51	350	5000
DKJ 90C 6 9/16"	6	1/4"	4	9/16"	18	19	27	23	51	250	3500
DKJ 90C 8 1/2"	8	5/16"	5	1/2"	20	17	32	31.5	59.5	350	5000
DKJ 90C 8 9/16"	8	5/16"	5	9/16"	18	19	32	31.5	59.5	250	3500
DKJ 90C 8 5/8"	8	5/16"	5	5/8"	18	22	32.5	31.5	59.5	250	3500
DKJ 90C 8 3/4"	8	5/16"	5	3/4"	16	24	32.5	31.5	59.5	250	3500
DKJ 90C 10 9/16"	10	3/8"	6	9/16"	18	19	35	33	63.0	250	3500
DKJ 90C 10 5/8"	10	3/8"	6	5/8"	18	22	35.5	33	63	250	3500
DKJ 90C 10 3/4"	10	3/8"	6	3/4"	16	24	36.5	33	63	250	3500
DKJ 90C 10 7/8"	10	3/8"	6	7/8"	14	27	40	33	63	200	2800
DKJ 90C 12 3/4"	12	1/2"	8	3/4"	16	24	41	39	72	250	3500
DKJ 90C 12 7/8"	12	1/2"	8	7/8"	14	27	42.5	39	72	200	2800
DKJ 90C 12 1 1/16"	12	1/2"	8	1 1/16"	12	32	50	39	72	200	2800
DKJ 90C 16 7/8"	16	5/8"	10	7/8"	14	27	50	49	85	200	2800
DKJ 90C 16 1 1/16"	16	5/8"	10	1 1/16"	12	32	55	49	85	200	2800
DKJ 90C 20 7/8"	20	3/4"	12	7/8"	14	27	58	53.5	94.5	200	2800
DKJ 90C 20 1 1/16"	20	3/4"	12	1 1/16"	12	32	58	53.5	94.5	200	2800
DKJ 90C 20 1 3/16"	20	3/4"	12	1 3/16"	12	36	61	53.5	94.5	160	2300
DKJ 90C 20 1 5/16"	20	3/4"	12	1 5/16"	12	41	62.5	53.5	94.5	160	2300
DKJ 90C 25 1 1/16"	25	1"	16	1 1/16"	12	32	80	69	124	200	2800
DKJ 90C 25 1 5/16"	25	1"	16	1 5/16"	12	41	69.5	73	128	160	2300
DKJ 90C 25 1 5/8"	25	1"	16	1 5/8"	12	50	78.5	73	128	125	1800
DKJ 90C 32 1 5/8"	32	1 1/4"	20	1 5/8"	12	55	91.5	89	150	125	1450
DKJ 90C 32 1 7/8"	32	1 1/4"	20	1 7/8"	12	50	99	89	150	100	1450
DKJ 90C 40 1 7/8"	40	1 1/2"	24	1 7/8"	12	55	113	101	172	100	1450