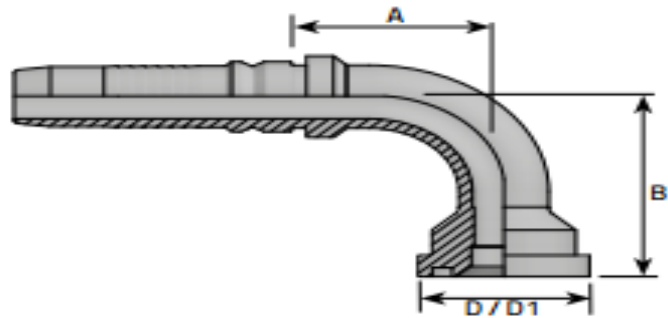


SFL INTERLOCK 3000 PSI							
Наименование	РАЗМЕРИ					НАЛЯГАНЕ	
	inch	Диам.	D inch	D1 mm	A mm	BAR	PSI
SFL INTERLOCK 20 3/4"	3/4"	19.0	3/4"	38.1	56.7	420	6091
SFL INTERLOCK 20 1"	3/4"	19.0	1"	44.5	48.7	420	6091
SFL INTERLOCK 25 3/4"	1"	25.4	3/4"	38.1	47.6	415	6019
SFL INTERLOCK 25 1"	1"	25.4	1"	44.5	47.6	415	6019
SFL INTERLOCK 25 1 1/4"	1"	25.4	1 1/4"	50.8	64.6	415	6019
SFL INTERLOCK 32 1 1/4"	1 1/4"	31.8	1 1/4"	50.8	68.7	250	3626
SFL INTERLOCK 32 1 1/2"	1 1/4"	31.8	1 1/2"	60.3	78.7	250	3626
SFL INTERLOCK 40 1 1/2"	1 1/2"	38.1	1 1/2"	60.3	68.5	200	2901
SFL INTERLOCK 40 2"	1 1/2"	38.1	2"	71.4	70.5	200	2901
SFL INTERLOCK 50 2"	2"	50.8	2"	71.4	70.5	200	2901



SFL 90° INTERLOCK 3000 PSI								
Наименование	РАЗМЕРИ						НАЛЯГАНЕ	
	inch	Диам.	D inch	D1 mm	B mm	A mm	BAR	PSI
SFL 90C INTERLOCK 20 3/4"	3/4"	19.0	3/4"	38.1	58.0	54.7	420	6091
SFL 90C INTERLOCK 20 1"	3/4"	19.0	1"	44.5	62.0	54.7	420	6091
SFL 90C INTERLOCK 25 3/4"	1"	25.4	3/4"	38.1	60.0	74.6	415	6019
SFL 90C INTERLOCK 25 1"	1"	25.4	1"	44.5	68.0	70.6	415	6019
SFL 90C INTERLOCK 25 1 1/4"	1"	25.4	1 1/4"	50.8	70.0	74.6	415	6019
SFL 90C INTERLOCK 32 1 1/4"	1 1/4"	31.8	1 1/4"	50.8	87.0	87.7	250	3626
SFL 90C INTERLOCK 32 1 1/2"	1 1/4"	31.8	1 1/2"	60.3	88.0	87.7	250	3626
SFL 90C INTERLOCK 40 1 1/2"	1 1/2"	38.1	1 1/2"	60.3	102.0	99.5	200	2901
SFL 90C INTERLOCK 40 2"	1 1/2"	38.1	2"	71.4	118.0	99.5	200	2901
SFL 90C INTERLOCK 50 2"	2"	50.8	2"	71.4	120.0	144.0	200	2901