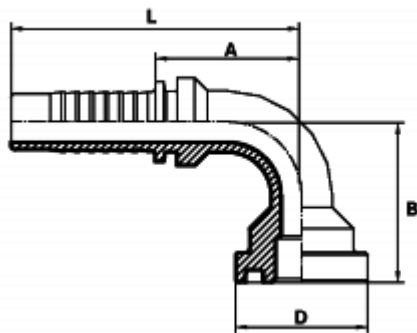


SFS прав накрайник

капиллярно запояване

6000 PSI

КОД	DN	Inch	Резба	D	A	L
SFS 12 1/2"	12	1/2"	1/2"	31.7	50	83
SFS 12 3/4"	12	1/2"	3/4"	41.3	55	87
SFS 16 1/2"	16	5/8"	1/2"	31.7	50	86
SFS 16 3/4"	16	5/8"	3/4"	41.3	51	87
SFS 20 1/2"	20	3/4"	1/2"	31.7	53	94
SFS 20 3/4"	20	3/4"	3/4"	41.3	53	94
SFS 20 1"	20	3/4"	1"	47.6	64	105
SFS 25 3/4"	25	1"	3/4"	41.3	64	105
SFS 25 1"	25	1"	1"	47.6	66	121
SFS 25 1.1/4"	25	1"	1.1/4"	54	71	126
SFS 32 1"	32	1.1/4"	1"	47.6	66	126
SFS 32 1.1/4"	32	1.1/4"	1.1/4"	54	67	127
SFS 32 1.1/2"	32	1.1/4"	1.1/2"	63.5	78	139
SFS 40 1.1/2"	40	1.1/2"	1.1/2"	63.5	78	149
SFS 40 2"	40	1.1/2"	2"	79.4	73	143
SFS 50 2"	50	2"	2"	79.4	73	153

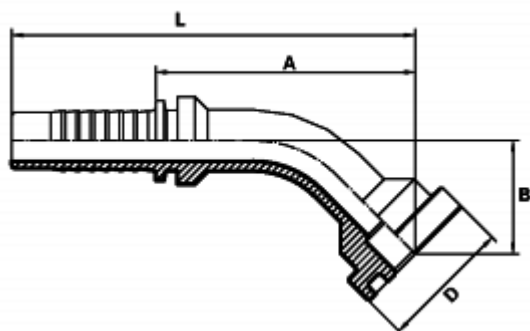


SFS накрайник ъгъл 90°

капилярно запояване

6000 PSI

КОД	DN	Inch	Резба	D	B	A	L
SFS 90C 12 1/2"	12	1/2"	1/2"	31.7	44	39	72
SFS 90C 12 3/4"	12	1/2"	3/4"	41.3	51	39	72
SFS 90C 16 1/2"	16	5/8"	1/2"	31.7	50	49	85
SFS 90C 16 3/4"	16	5/8"	3/4"	41.3	59	49	85
SFS 90C 20 1/2"	20	3/4"	1/2"	31.7	53	57	98
SFS 90C 20 3/4"	20	3/4"	3/4"	41.3	62	57	98
SFS 90C 20 1"	20	3/4"	1"	47.6	67	57	98
SFS 90C 25 3/4"	25	1"	3/4"	41.3	64	77	132
SFS 90C 25 1"	25	1"	1"	47.6	69	77	132
SFS 90C 25 1.1/4"	25	1"	1.1/4"	54	76	77	132
SFS 90C 32 1"	32	1.1/4"	1"	47.6	87	89	150
SFS 90C 32 1.1/4"	32	1.1/4"	1.1/4"	54	93	89	150
SFS 90C 32 1.1/2"	32	1.1/4"	1.1/2"	63.5	97	89	150
SFS 90C 40 1.1/2"	40	1.1/2"	1.1/2"	63.5	111	101	172
SFS 90C 40 2"	40	1.1/2"	2"	79.4	126	101	172
SFS 90C 50 2"	50	2"	2"	79.4	128	144	224



SFS накрайник ъгъл 45⁰

капиларно запояване

6000 PSI

КОД	DN	Inch	Резба	D	B	A	L
SFS 45C 12 1/2"	12	1/2"	1/2"	31.7	23	64	97
SFS 45C 12 3/4"	12	1/2"	3/4"	41.3	28	69	102
SFS 45C 16 1/2"	16	5/8"	1/2"	31.7	26	60	96
SFS 45C 16 3/4"	16	5/8"	3/4"	41.3	30	66	102
SFS 45C 20 1/2"	20	3/4"	1/2"	31.7	28	64	105
SFS 45C 20 3/4"	20	3/4"	3/4"	41.3	32	70	111
SFS 45C 20 1"	20	3/4"	1"	47.6	35	74	115
SFS 45C 25 3/4"	25	1"	3/4"	41.3	35	86	141
SFS 45C 25 1"	25	1"	1"	47.6	32	89	144
SFS 45C 25 1.1/4"	25	1"	1.1/4"	54	36	94	149
SFS 45C 32 1"	32	1.1/4"	1"	47.6	36	100	161
SFS 45C 32 1.1/4"	32	1.1/4"	1.1/4"	54	43	104	165
SFS 45C 32 1.1/2"	32	1.1/4"	1.1/2"	63.5	44	107	168
SFS 45C 40 1.1/2"	40	1.1/2"	1.1/2"	63.5	41	118	189
SFS 45C 40 2"	40	1.1/2"	2"	79.4	52	119	190
SFS 45C 50 2"	50	2"	2"	79.4	59	153	233