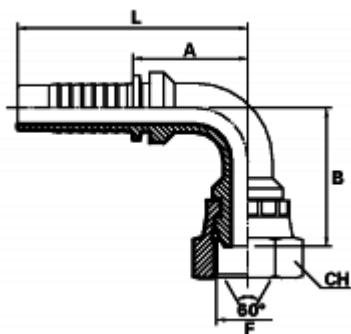


НАКРАЙНИК DKR С КОНУС 60°

BSP РЕЗБА

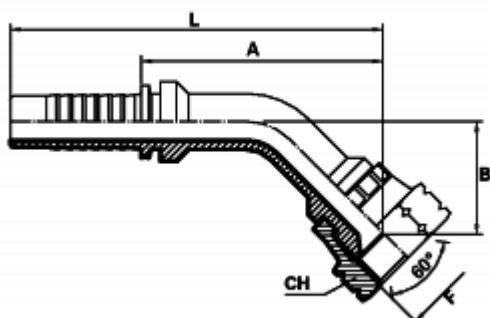
КОД	DN	Inch	Резба	CH	A	L	PN /bar/
DKR 5 1/8"	5	3/16"	1/8"	15	18	43	415
DKR 5 1/4"	5	3/16"	1/4"	19	18	43	415
DKR 6 1/8"	6	1/4"	1/8"	15	18	46	415
DKR 6 1/4"	6	1/4"	1/4"	19	18	46	450
DKR 6 3/8"	6	1/4"	3/8"	22	19	47	450
DKR 6 1/2"	6	1/4"	1/2"	27	21	49	450
DKR 8 1/4"	8	5/16"	1/4"	19	18	46	350
DKR 8 3/8"	8	5/16"	3/8"	22	19	47	350
DKR 8 1/2"	8	5/16"	1/2"	27	21	49	350
DKR 10 1/4"	10	3/8"	1/4"	19	19	49	450
DKR 10 3/8"	10	3/8"	3/8"	22	20	50	450
DKR 10 1/2"	10	3/8"	1/2"	27	21	51	450
DKR 12 3/8"	12	1/2"	3/8"	19	20	53	415
DKR 12 1/2"	12	1/2"	1/2"	27	22	55	415
DKR 12 5/8"	12	1/2"	5/8"	28	22	55	415
DKR 12 3/4"	12	1/2"	3/4"	32	24	57	415
DKR 16 1/2"	16	5/8"	1/2"	27	22	58	350
DKR 16 5/8"	16	5/8"	5/8"	28	23	59	350
DKR 16 3/4"	16	5/8"	3/4"	32	24	60	350
DKR 20 1/2"	20	3/4"	1/2"	27	22.5	63.5	350
DKR 20 5/8"	20	3/4"	5/8"	28	24	66	350
DKR 20 3/4"	20	3/4"	3/4"	32	25	66	350
DKR 20 1"	20	3/4"	1"	38	26	67	350
DKR 25 3/4"	25	1"	3/4"	32	26	81	280
DKR 25 1"	25	1"	1"	38	27	82	280
DKR 25 1.1/4"	25	1"	1.1/4"	50	30	85	280
DKR 32 1.1/4"	32	1.1/4"	1.1/4"	50	30	91	210
DKR 32 1.1/2"	32	1.1/4"	1.1/2"	55	32	93	210
DKR 40 1.1/2"	40	1.1/2"	1.1/2"	55	32	103	185



НАКРАЙНИК DKR С КОНУС 60° ЪГЪЛ 90°

BSP РЕЗБА

КОД	DN	Inch	Резба	CH	B	A	L	PN /bar/
DKR 90C 5 1/8"	5	3/16"	1/8"	15	29	23	47.5	415
DKR 90C 5 1/4"	5	3/16"	1/4"	19	29	23	47.5	415
DKR 90C 6 1/8"	6	1/4"	1/8"	15	29	23	51	415
DKR 90C 6 1/4"	6	1/4"	1/4"	19	29	23	51	450
DKR 90C 6 3/8"	6	1/4"	3/8"	22	32	23	51	450
DKR 90C 6 1/2"	6	1/4"	1/2"	27	30	31.5	59.5	450
DKR 90C 8 1/4"	8	5/16"	1/4"	19	33.5	31.5	59.5	350
DKR 90C 8 3/8"	8	5/16"	3/8"	22	35.5	31.5	59.5	350
DKR 90C 8 1/2"	8	5/16"	1/2"	27	39	31.5	59.5	350
DKR 90C 10 1/4"	10	3/8"	1/4"	19	37	33	63	450
DKR 90C 10 3/8"	10	3/8"	3/8"	22	38	33	63	450
DKR 90C 10 1/2"	10	3/8"	1/2"	27	42	33	63	450
DKR 90C 12 3/8"	12	1/2"	3/8"	19	43	39	72	415
DKR 90C 12 1/2"	12	1/2"	1/2"	27	45	39	72	415
DKR 90C 12 5/8"	12	1/2"	5/8"	28	45	39	72	415
DKR 90C 12 3/4"	12	1/2"	3/4"	32	51	39	72	415
DKR 90C 16 1/2"	16	5/8"	1/2"	27	54	49	85	350
DKR 90C 16 5/8"	16	5/8"	5/8"	28	54	49	85	350
DKR 90C 16 3/4"	16	5/8"	3/4"	32	56	49	85	350
DKR 90C 20 1/2"	20	3/4"	1/2"	27	56	53.5	94.5	350
DKR 90C 20 5/8"	20	3/4"	5/8"	28	56	53.5	94.5	350
DKR 90C 20 3/4"	20	3/4"	3/4"	32	59	53.5	94.5	350
DKR 90C 20 1"	20	3/4"	1"	38	65	53.5	94.5	350
DKR 90C 25 3/4"	25	1"	3/4"	32	72	68.5	123.5	280
DKR 90C 25 1"	25	1"	1"	38	72	73	128	280
DKR 90C 25 1.1/4"	25	1"	1.1/4"	50	80	73	128	280
DKR 90C 32 1.1/4"	32	1.1/4"	1.1/4"	50	93	89	150	210
DKR 90C 32 1.1/2"	32	1.1/4"	1.1/2"	55	98.5	89	150	210
DKR 90C 40 1.1/2"	40	1.1/2"	1.1/2"	55	114	101	172	185



Накрайник DKR с конус 60° ъгъл 45°

BSP резба

КОД	DN	Inch	Резба	CH	B	A	L	PN /bar/
DKR 45C 5 1/8"	5	3/16"	1/8"	15	17	40	65	415
DKR 45C 5 1/4"	5	3/16"	1/4"	19	17	40	65	415
DKR 45C 6 1/8"	6	1/4"	1/8"	15	17	40	68	415
DKR 45C 6 1/4"	6	1/4"	1/4"	19	17	40	68	450
DKR 45C 6 3/8"	6	1/4"	3/8"	22	20	43	71	450
DKR 45C 6 1/2"	6	1/4"	1/2"	27	24	55	83	450
DKR 45C 8 1/4"	8	5/16"	1/4"	19	20	51	79	350
DKR 45C 8 3/8"	8	5/16"	3/8"	22	21	52	80	350
DKR 45C 8 1/2"	8	5/16"	1/2"	27	24	55	83	350
DKR 45C 10 1/4"	10	3/8"	1/4"	19	19	54	84	450
DKR 45C 10 3/8"	10	3/8"	3/8"	22	20	55	85	450
DKR 45C 10 1/2"	10	3/8"	1/2"	27	23	58	88	450
DKR 45C 12 3/8"	12	1/2"	3/8"	19	20	63	96	415
DKR 45C 12 1/2"	12	1/2"	1/2"	27	23	65	98	415
DKR 45C 12 5/8"	12	1/2"	5/8"	28	23	65	98	415
DKR 45C 12 3/4"	12	1/2"	3/4"	32	21	66	99	415
DKR 45C 16 1/2"	16	5/8"	1/2"	27	25	63	99	350
DKR 45C 16 5/8"	16	5/8"	5/8"	28	25	64	99	350
DKR 45C 16 3/4"	16	5/8"	3/4"	32	26	64	100	350
DKR 45C 20 1/2"	20	3/4"	1/2"	27	28	62	103	350
DKR 45C 20 5/8"	20	3/4"	5/8"	28	29	63	104	350
DKR 45C 20 3/4"	20	3/4"	3/4"	32	29	63	104	350
DKR 45C 20 1"	20	3/4"	1"	38	31	65	105	350
DKR 45C 25 3/4"	25	1"	3/4"	32	39	88	143	280
DKR 45C 25 1"	25	1"	1"	38	41	90	145	280
DKR 45C 25 1.1/4"	25	1"	1.1/4"	50	44	93	148	280
DKR 45C 32 1.1/4"	32	1.1/4"	1.1/4"	50	44	102	163	210
DKR 45C 32 1.1/2"	32	1.1/4"	1.1/2"	55	45	103	164	210
DKR 45C 40 1.1/2"	40	1.1/2"	1.1/2"	55	45	118	189	185