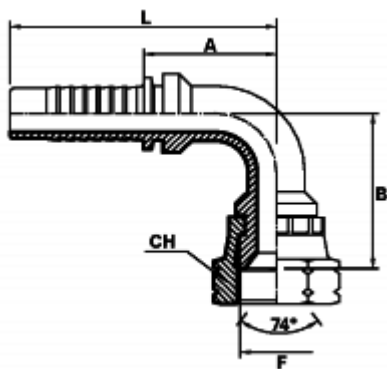


DKJ накрайник 74° конус

UNF вътрешна резба

JIS стандарт

КОД	DN	Inch	Резба	CH	A	L	PN /bar/
DKJ 5 7/16"	5	3/16"	7/16"	15	15	40	350
DKJ 5 1/2"	5	3/16"	1/2"	17	15	40	350
DKJ 6 7/16"	6	1/4"	7/16"	15	15	43	350
DKJ 6 1/2"	6	1/4"	1/2"	17	16	44	350
DKJ 6 9/16"	6	1/4"	9/16"	19	16	44	250
DKJ 8 1/2"	8	5/16"	1/2"	17	16	44	350
DKJ 8 9/16"	8	5/16"	9/16"	19	16	44	250
DKJ 8 5/8"	8	5/16"	5/8"	22	17	45	
DKJ 8 3/4"	8	5/16"	3/4"	24	17	45	250
DKJ 10 9/16"	10	3/8"	9/16"	19	16.5	46.5	250
DKJ 10 5/8"	10	3/8"	5/8"	22	17	47	
DKJ 10 3/4"	10	3/8"	3/4"	24	17	47	250
DKJ 10 7/8"	10	3/8"	7/8"	27	18.5	48.5	200
DKJ 12 3/4"	12	1/2"	3/4"	24	18	51	250
DKJ 12 7/8"	12	1/2"	7/8"	27	19	52	200
DKJ 12 1.1/16"	12	1/2"	1.1/16"	32	22	55	200
DKJ 16 7/8"	16	5/8"	7/8"	27	19.5	55.5	200
DKJ 16 1.1/16"	16	5/8"	1.1/16"	32	22.5	58.5	200
DKJ 20 7/8"	20	3/4"	7/8"	27	20	61	200
DKJ 20 1.1/16"	20	3/4"	1.1/16"	32	23	64	200
DKJ 20 1.3/16"	20	3/4"	1.3/16"	36	23	64	160
DKJ 20 1.5/16"	20	3/4"	1.5/16"	41	23	64	160
DKJ 25 1.1/16"	25	1"	1.1/16"	32	24	79	200
DKJ 25 1.5/16"	25	1"	1.5/16"	41	24.5	79.5	160
DKJ 25 1.5/8"	25	1"	1.5/8"	50	28.5	83.5	125
DKJ 32 1.5/8"	32	1.1/4"	1.5/8"	50	29	90	125
DKJ 32 1.7/8"	32	1.1/4"	1.7/8"	55	31	92	100
DKJ 40 1.7/8"	40	1.1/2"	1.7/8"	55	31	102	100
DKJ 50 2.1/2"	50	2"	2.1/2"	70	33	104	

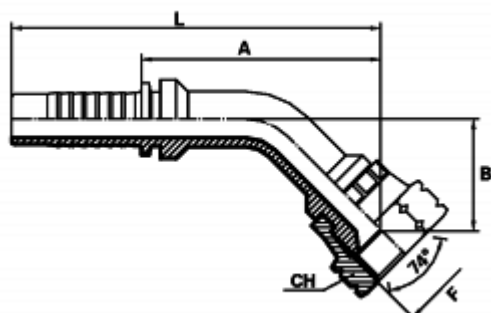


DKJ накрайник 74° конус

UNF вътрешна резба

JIS стандарт ъгъл 90°

КОД	DN	Inch	Резба	CH	B	A	L	PN /bar/
DKJ 90C 5 7/16"	5	3/16"	7/16"	15	26	23	47.5	350
DKJ 90C 5 1/2"	5	3/16"	1/2"	17	27	23	47.5	350
DKJ 90C 6 7/16"	6	1/4"	7/16"	15	26	23	51	350
DKJ 90C 6 1/2"	6	1/4"	1/2"	17	27	23	51	350
DKJ 90C 6 9/16"	6	1/4"	9/16"	19	27	23	51	250
DKJ 90C 8 1/2"	8	5/16"	1/2"	17	32	31.5	59.5	350
DKJ 90C 8 9/16"	8	5/16"	9/16"	19	32	31.5	59.5	250
DKJ 90C 8 5/8"	8	5/16"	5/8"	22	32.5	31.5	59.5	
DKJ 90C 8 3/4"	8	5/16"	3/4"	24	32.5	31.5	59.5	250
DKJ 90C 10 9/16"	10	3/8"	9/16"	19	35	33	63	250
DKJ 90C 10 5/8"	10	3/8"	5/8"	22	35.5	33	63	
DKJ 90C 10 3/4"	10	3/8"	3/4"	24	36.5	33	63	250
DKJ 90C 10 7/8"	10	3/8"	7/8"	27	39.5	33	63	200
DKJ 90C 12 3/4"	12	1/2"	3/4"	24	41	39	72	250
DKJ 90C 12 7/8"	12	1/2"	7/8"	27	42.5	39	72	200
DKJ 90C 12 1.1/16"	12	1/2"	1.1/16"	32	50	39	72	200
DKJ 90C 16 7/8"	16	5/8"	7/8"	27	50	49	85	200
DKJ 90C 16 1.1/16"	16	5/8"	1.1/16"	32	55	49	85	200
DKJ 90C 20 1.1/16"	20	3/4"	1.1/16"	32	58	53.5	94.5	200
DKJ 90C 20 1.3/16"	20	3/4"	1.3/16"	36	61	53.5	94.5	160
DKJ 90C 20 1.5/16"	20	3/4"	1.5/16"	41	62.5	53.5	94.5	160
DKJ 90C 25 1.1/16"	25	1"	1.1/16"	32	80	69	124	200
DKJ 90C 25 1.5/16"	25	1"	1.5/16"	41	69.5	73	128	160
DKJ 90C 25 1.5/8"	25	1"	1.5/8"	50	78.5	73	128	125
DKJ 90C 32 1.5/8"	32	1.1/4"	1.5/8"	50	91.5	89	150	125
DKJ 90C 32 1.7/8"	32	1.1/4"	1.7/8"	55	99	89	150	100
DKJ 90C 40 1.7/8"	40	1.1/2"	1.7/8"	55	112.5	101	172	100



DKJ накрайник 74⁰ конус

UNF вътрешна резба

JIS стандарт ъгъл 45⁰

КОД	DN	Inch	Резба	CH	B	A	L	PN /bar/
DKJ 45C 5 7/16"	5	3/16"	7/16"	15	15	38	63	350
DKJ 45C 5 1/2"	5	3/16"	1/2"	17	17	40	65	350
DKJ 45C 6 7/16"	6	1/4"	7/16"	15	15	38	66	350
DKJ 45C 6 1/2"	6	1/4"	1/2"	17	17	40	68	350
DKJ 45C 6 9/16"	6	1/4"	9/16"	19	16.5	39.5	67.5	250
DKJ 45C 8 1/2"	8	5/16"	1/2"	17	17	40	68	350
DKJ 45C 8 9/16"	8	5/16"	9/16"	19	18.5	49.5	77.5	250
DKJ 45C 8 5/8"	8	5/16"	5/8"	22	19	50	80	
DKJ 45C 8 3/4"	8	5/16"	3/4"	24	19.5	50.5	78.5	250
DKJ 45C 10 9/16"	10	3/8"	9/16"	19	18	53	83	250
DKJ 45C 10 5/8"	10	3/8"	5/8"	22	19	54	84	
DKJ 45C 10 3/4"	10	3/8"	3/4"	24	19	54	84	250
DKJ 45C 10 7/8"	10	3/8"	7/8"	27	21	56	86	200
DKJ 45C 12 3/4"	12	1/2"	3/4"	24	20	62	95	250
DKJ 45C 12 7/8"	12	1/2"	7/8"	27	21	63	97	200
DKJ 45C 12 1.1/16"	12	1/2"	1.1/16"	32	22	64	97	200
DKJ 45C 16 7/8"	16	5/8"	7/8"	27	22	60	96	200
DKJ 45C 16 1.1/16"	16	5/8"	1.1/16"	32	25	63	99	200
DKJ 45C 20 7/8"	20	3/4"	7/8"	27	29	62	103	200
DKJ 45C 20 1.1/16"	20	3/4"	1.1/16"	32	29	62	103	200
DKJ 45C 20 1.3/16"	20	3/4"	1.3/16"	36	29	63	103	160
DKJ 45C 20 1.5/16"	20	3/4"	1.5/16"	41	29	63	103	160
DKJ 45C 25 1.1/16"	25	1"	1.1/16"	32	39.5	100	155	200
DKJ 45C 25 1.5/16"	25	1"	1.5/16"	41	39.5	88.5	143.5	160
DKJ 45C 25 1.5/8"	25	1"	1.5/8"	50	38.5	89.5	147.5	125
DKJ 45C 32 1.5/8"	32	1.1/4"	1.5/8"	50	44	101	162	125
DKJ 45C 32 1.7/8"	32	1.1/4"	1.7/8"	55	45	103	164	100
DKJ 45C 40 1.7/8"	40	1.1/2"	1.7/8"	55	45	118	189	100