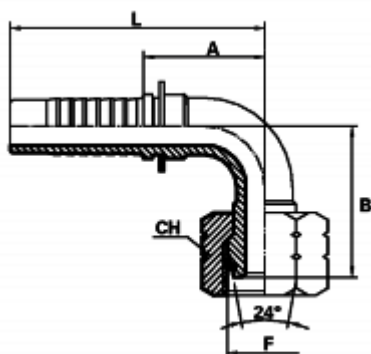


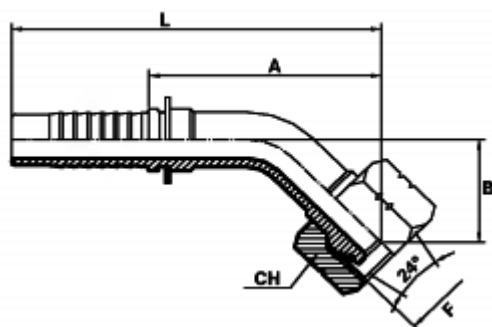
Накрайник DKOS с O-пръстен
конус 24° по DIN 3865

КОД	DN	Inch	Резба	CH	T	A	L	PN /bar/
DKOS 5 14x1.5	5	3/16"	M14x1.5	17	6	25.5	50	420
DKOS 5 16x1.5	5	3/16"	M16x1.5	19	8	25.5	50	420
DKOS 6 14x1.5	6	1/4"	M14x1.5	17	6	25.5	53	450
DKOS 6 16x1.5	6	1/4"	M16x1.5	19	8	26	54	450
DKOS 6 18x1.5	6	1/4"	M18x1.5	22	10	26	54	450
DKOS 6 20x1.5	6	1/4"	M20x1.5	24	12	26	54	450
DKOS 8 18x1.5	8	5/16"	M18x1.5	22	10	26.5	54.5	350
DKOS 8 20x1.5	8	5/16"	M20x1.5	24	12	26	54	350
DKOS 10 18x1.5	10	3/8"	M18x1.5	22	10	26.5	56.5	450
DKOS 10 20x1.5	10	3/8"	M20x1.5	24	12	26.5	54.5	450
DKOS 10 22x1.5	10	3/8"	M22x1.5	27	14	27	57	450
DKOS 12 22x1.5	12	1/2"	M22x1.5	27	14	27.5	60.5	420
DKOS 12 24x1.5	12	1/2"	M24x1.5	30	16	32	65	420
DKOS 16 30x2	16	5/8"	M30x2	36	20	37	73	350
DKOS 20 30x2	20	3/4"	M30x2	36	20	37.5	78.5	350
DKOS 20 36x2	20	3/4"	M36x2	46	25	38.5	79.5	350
DKOS 25 36x2	25	1"	M36x2	46	25	39.5	94.5	280
DKOS 25 42x2	25	1"	M42x2	50	30	40.5	95.5	280
DKOS 32 42x2	32	1.1/4"	M42x2	50	30	41.5	102	210
DKOS 32 52x2	32	1.1/4"	M52x2	60	38	47	107.5	210
DKOS 40 52x2	40	1.1/2"	M52x2	60	38	47	118	185



Накрайник DKOS с O-пръстен
конус 24° по DIN 3865 ъгъл 90°

КОД	DN	Inch	Резба	CH	T	B	A	L	PN /bar/
DKOS 90C 5 14x1.5	5	3/16"	M14x1.5	17	6	31.5	29.5	53.5	420
DKOS 90C 5 16x1.5	5	3/16"	M16x1.5	19	8	31.5	29.5	53.5	420
DKOS 90C 6 14x1.5	6	1/4"	M14x1.5	17	6	31.5	29.5	57	450
DKOS 90C 6 16x1.5	6	1/4"	M16x1.5	19	8	31.5	29.5	57	450
DKOS 90C 6 18x1.5	6	1/4"	M18x1.5	22	10	32.5	29	56.5	450
DKOS 90C 6 20x1.5	6	1/4"	M20x1.5	24	12	30.5	27	55	450
DKOS 90C 8 18x1.5	8	5/16"	M18x1.5	22	10	32.5	31	59	350
DKOS 90C 8 20x1.5	8	5/16"	M20x1.5	24	12	37	29	57	350
DKOS 90C 10 18x1.5	10	3/8"	M18x1.5	22	10	38	33	63	450
DKOS 90C 10 20x1.5	10	3/8"	M20x1.5	24	12	37.5	35.5	65	450
DKOS 90C 10 22x1.5	10	3/8"	M22x1.5	27	14	42	34	64	450
DKOS 90C 12 22x1.5	12	1/2"	M22x1.5	27	14	44	39.5	72	420
DKOS 90C 12 24x1.5	12	1/2"	M24x1.5	30	16	45	39.5	72	420
DKOS 90C 16 30x2	16	5/8"	M30x2	36	20	56	48.5	84	350
DKOS 90C 20 30x2	20	3/4"	M30x2	36	20	59	56.5	97	350
DKOS 90C 20 36x2	20	3/4"	M36x2	46	25	59	56.5	97	350
DKOS 90C 25 36x2	25	1"	M36x2	46	25	75	73	127	280
DKOS 90C 25 42x2	25	1"	M42x2	50	30	75	73	127	280
DKOS 90C 32 42x2	32	1.1/4"	M42x2	50	30	86	92	152	210
DKOS 90C 32 52x2	32	1.1/4"	M52x2	60	38	86	92	152	210
DKOS 90C 40 52x2	40	1.1/2"	M52x2	60	38	94	99	170	185



Накрайник DKOS с О-пръстен
конус 24° по DIN 3865 ъгъл 45°

КОД	DN	Inch	Резба	CH	T	B	A	L	PN /bar/
DKOS 45C 5 14x1.5	5	3/16"	M14x1.5	17	6	15	37	65	420
DKOS 45C 5 16x1.5	5	3/16"	M16x1.5	19	8	15	37	65	420
DKOS 45C 6 14x1.5	6	1/4"	M14x1.5	17	6	17	40	68	450
DKOS 45C 6 16x1.5	6	1/4"	M16x1.5	19	8	17	50	78	450
DKOS 45C 6 18x1.5	6	1/4"	M18x1.5	22	10	17	48.5	76	450
DKOS 45C 6 20x1.5	6	1/4"	M20x1.5	24	12	17	48.5	76	450
DKOS 45C 8 18x1.5	8	5/16"	M18x1.5	22	10	17	52.5	80	350
DKOS 45C 8 20x1.5	8	5/16"	M20x1.5	24	12	20	50	78	350
DKOS 45C 10 18x1.5	10	3/8"	M18x1.5	22	10	20	55	85	450
DKOS 45C 10 20x1.5	10	3/8"	M20x1.5	24	12	17	57	86.5	450
DKOS 45C 10 22x1.5	10	3/8"	M22x1.5	27	14	19	59	88.5	450
DKOS 45C 12 22x1.5	12	1/2"	M22x1.5	27	14	22	65	98	420
DKOS 45C 12 24x1.5	12	1/2"	M24x1.5	30	16	22	66.5	99	420
DKOS 45C 16 30x2	16	5/8"	M30x2	36	20	26	64.5	100	350
DKOS 45C 20 30x2	20	3/4"	M30x2	36	20	27	64	104.5	350
DKOS 45C 20 36x2	20	3/4"	M36x2	46	25	28	70	110	350
DKOS 45C 25 36x2	25	1"	M36x2	46	25	38	88.5	143	280
DKOS 45C 25 42x2	25	1"	M42x2	50	30	38	89	144	280
DKOS 45C 32 42x2	32	1.1/4"	M42x2	50	30	35	104.5	164.5	210
DKOS 45C 32 52x2	32	1.1/4"	M52x2	60	38	35	104.5	164.5	210
DKOS 45C 40 52x2	40	1.1/2"	M52x2	60	38	45	119	189	185